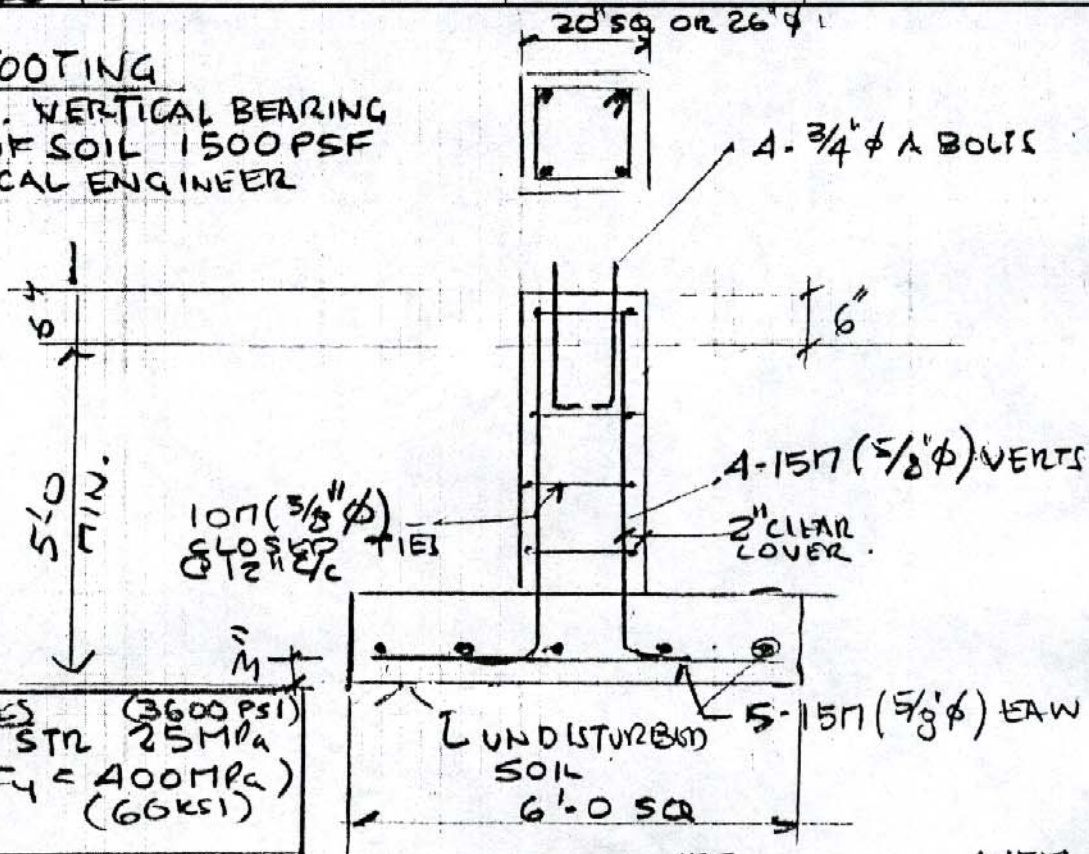


PROJECT:

SUNLINK 9'x10' PANEL  
10' POST  
20 PSF

**SPREAD FOOTING**

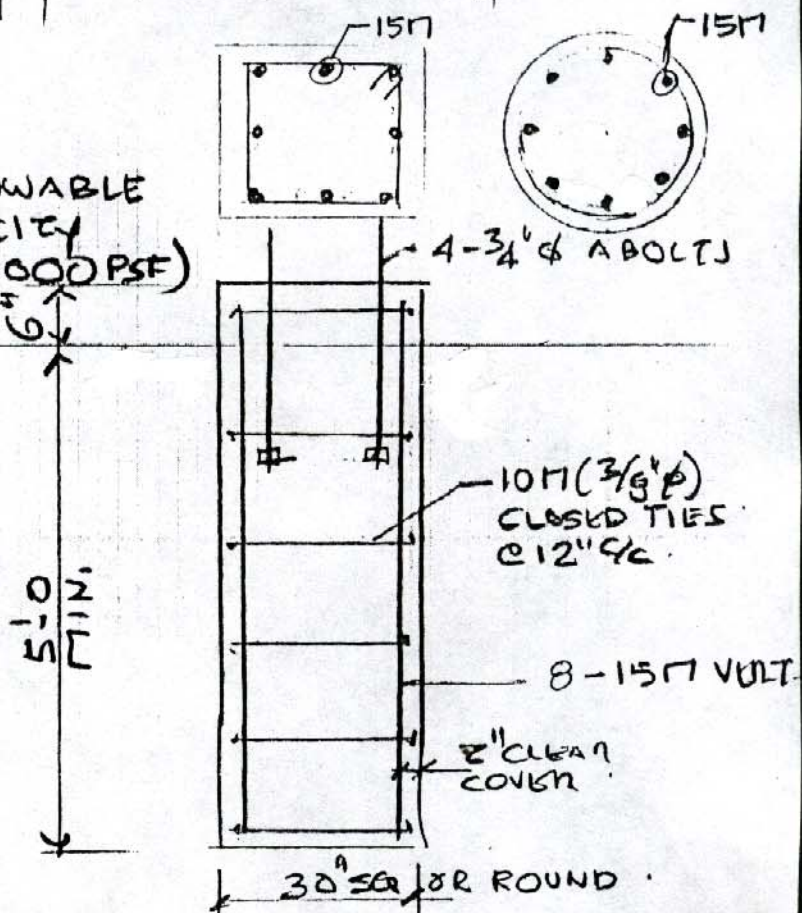
MIN ALLOW. VERTICAL BEARING CAPACITY OF SOIL 1500 PSF  
CONSULT LOCAL ENGINEER



- GENERAL NOTES**
- CONC COMP. STR (3600 PSI) 25 MPa
  - REINF (F<sub>y</sub> = 400 MPa) (60 KSI)

**PIER FOOTING**

- BASED ON MINIMUM ALLOWABLE LATERAL BEARING CAPACITY OF SOIL OF 48 KPa (1000 PSF)  
CONSULT LOCAL ENGINEER



SUNLINK 9'x10' PANEL  
10' POST  
20 PSF

NTS

SK-4